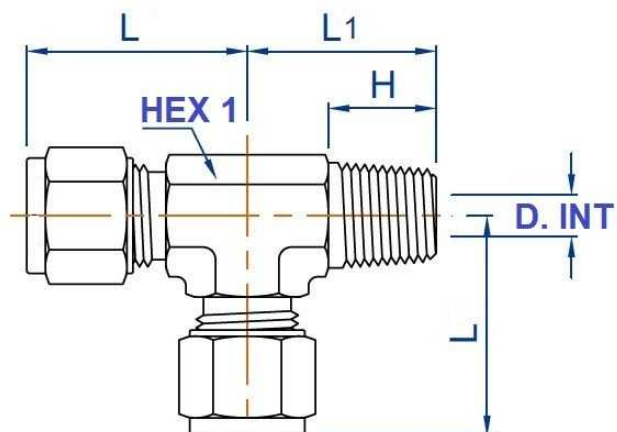


Racor Doble Anillo Trale LOK

TES rosca lateral

Racor en L rosca cónica NPT

Acero Inoxidable AISI 316-L-1.4404



Artículo	ØD1	R1	Ø int	L	L1	HEX 1	H
ZKTLMP0202	1/8"	1/8"	2.28	27,68	17,78	1/2"	9,65
ZKTLMP0204	1/8"	1/4"	2.28	26,41	24,38	1/2"	14,22
ZKTLMP0402	1/4"	1/8"	5.08	27,17	18,28	1/2"	9,65
ZKTLMP0404	1/4"	1/4"	5.08	26,92	24,38	1/2"	14,22
ZKTLMP0604	3/8"	1/4"	7.11	30,48	24,13	5/8"	14,22
ZKTLMP0606	3/8"	3/8"	7.11	29,97	28,19	5/8"	14,22
ZKTLMP0806	1/2"	3/8"	7.11	36,58	29,21	5/8"	14,22
ZKTLMP0808	1/2"	1/2"	10.41	36,57	35,55	7/8"	19,04
ZKTLMP06M02	6	1/8"	5	27,2	18,3	1/2"	9,7
ZKTLMP06M04	6	1/4"	5	26,7	24,3	1/2"	14,2
ZKTLMP08M02	8	1/8"	6.5	29,5	20,8	5/8"	9,6
ZKTLMP08M04	8	1/4"	6.5	29,5	24,7	5/8"	14,2
ZKTLMP10M04	10	1/4"	7.1	31,6	26,4	11/16"	14,2
ZKTLMP10M08	10	1/2"	7.9	34,4	35,3	7/8"	19
ZKTLMP12M04	12	1/4"	9.5	36,6	29,1	13/16"	14,2
ZKTLMP12M06	12	3/8"	9.5	36,6	29,1	13/16"	14,2
ZKTLMP12M08	12	1/2"	9.5	36,6	35,5	7/8"	19